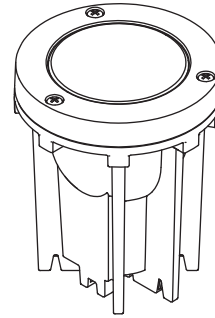


Breaking new ground with optimal versatility

PHILIPS HADCO, FLEXSCAPE, BULLET, COMPOSITE,
LANDSCAPE LED LUMINAIRE, BL9

Zoomable optics (15° to 35°) & 60° by switching optic element.
Adjustable light output (ability to switch output in 4 steps).

IL9 FLEXSCAPE LED INGROUND LANDSCAPE LUMINAIRE



Project: _____
Location: _____
Catalog No: _____
Fixture Type: Landscape LED luminaire
Mfg: Philips Hadco Lamps: LED Qty: _____
Notes: _____

Ordering guide

example: IL9DC-A

Series	Lamping	CCT	Finish
IL9	D	–	A
IL9 Low Voltage 9W Inground lighting	D LED	W Warm (3000K) C Cool (4000K)	A Black

Features

- Housing/Construction:** Black Injection molded, glass filled polyester, molded-in fins for thermal performance as well as to discourage heaving and twisting after installation. Molded-in brass inserts for repeatable opening / closing. Lens ring secured with three (3) screws that clamp lens and gasket into place, flush for ADA compliance and repeatable sealing.
- Electrical:** 10W (on high setting) Input voltage range (VAC): 10-14. Pre-wired with a 3-ft. pigtail for easy hookup to the low voltage supply cable. Driver housed in injected molded case with electronics encapsulated. 12V class 2 driver with integral switch for 4 preset light levels.
- LED Board and Array:** Single Luxeon M LED.
- Controls:** 12 Volt Class 2 driver with integral switch provides simple customer access to the adjustment between 4 present light levels.
- Optical Systems:** Low iron-tempered clear glass, molded gasket slips onto lens without tools or RTV. Zoomable optic / Injection molded acrylic (PMMA) clear, highly polished molded with select surfaces textured. Inter-changeable lens provides Narrow 15° to Medium 35° beam pattern depending on the position, Inter-changeable lens provides Wide 60° flood output.

Finish

Composite is textured, pressure formed, black molded-in-color.

Lamps

Integral LED module

Watts Consumed / Needed to Drive	2.0W	4.5W	8.6W	10.7W
mA	230	600	1100	1500
3K 15°	111	235	419	554
3K 35°	129	273	485	642
3K 60°	115	245	436	571
4K 15°	118	262	465	587
4K 35°	137	303	539	681
4K 60°	122	272	484	606

IP67 Rating

Dust-tight and sealed against direct jets of water and against continuous immersion up to a depth of 1 meter (3.28 feet).

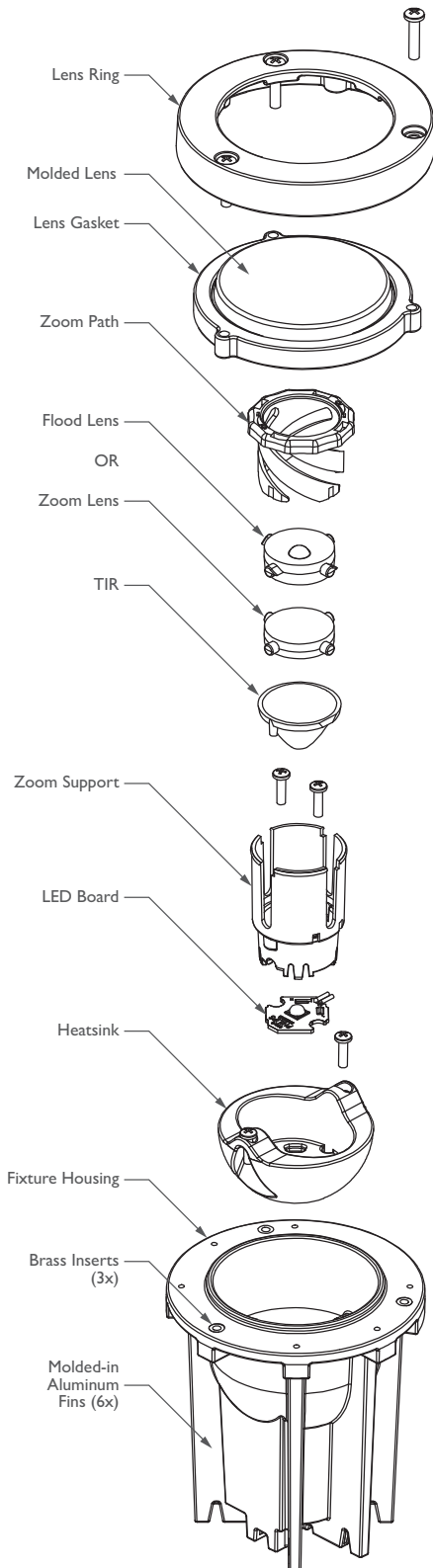
Labels

ETL Listed to U.S. safety standards for wet locations. cETL listed to Canadian safety standards for wet locations. Manufactured to ISO 9001:2008 Standards 5-year limited warranty.



PHILIPS
HADCO

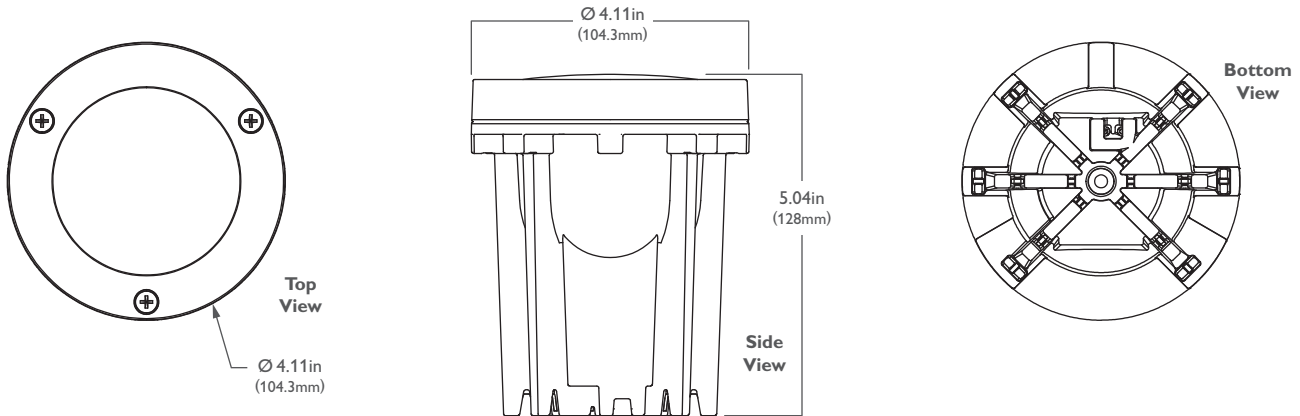
IL9 FLEXSCAPE LED INGROUND LANDSCAPE LUMINAIRE



Component	Material	Finish	Feature/Function
1. Lens Ring	Injection molded, glass filled poly-ester	Black, texture on top surface only	Lens ring secures with three (3) Phillips-head screws. Clamps lens and gasket into place, flush for ADA compliance.
2. Molded Lens	Molded, low-iron, tempered	Clear (glass)	Environmental barrier, sealing, flush for ADA compliance, slight curvature to shed water and debris.
3. Lens Gasket	100% molded-silicone	Black	Molded gasket slips onto lens without tools or RTV.
4. Zoom Path	Injection-molded, UV-resistance polycarbonate	White ¹	Tool-less adjustable/removable path for Zoom Lens and Flood Lens, high brightness white for maximum light output.
5. Flood Lens ³	Injection-molded acrylic (PMMA)	Clear ²	Interchangeable lens provides 60° flood output.
6. Zoom Lens ³	Injection-molded acrylic (PMMA)	Clear ²	Interchangeable lens provides 15° to 35° beam depending on position.
7. TIR	Injection-molded acrylic (PMMA)	Clear ²	Snap-in optic shapes beam for zoom and flood lenses.
8. Zoom Support	Injection-molded, UV-resistance polycarbonate	White ¹	Support for TIR and Zoom Path, locates optics precisely relative to LED, high brightness white for maximum light output.
9. LED Board	Philips Lumileds Luxeon M	White solder mask, silk screen printing	Custom PCB with Philips Lumileds Luxeon M, 3000K/4000K.
10. Heatsink	Injection molded zinc	As cast	Spherical shape enables aiming while transferring heat to exterior housing for better thermal performance.
11. Fixture Housing	Injection molded, glass-filled poly-ester, molded-in aluminum fins, molded-in brass inserts	Black	Housing includes molded-in metal fins for thermal performance, molded-in brass inserts for repeatable opening/closing. External fins aid thermal management and discourage "heaving" and twisting after installation. Incoming wires factory sealed including anti-wicking feature.

1. Highly polished molded.
2. Highly polished molded, select surfaces textured.
3. Select from either a Zoom or Flood lens optics for customized lighting effects.

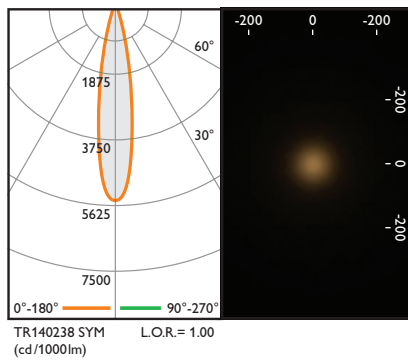
IL9 FLEXSCAPE LED INGROUND LANDSCAPE LUMINAIRE



IL9 Warm 3000K

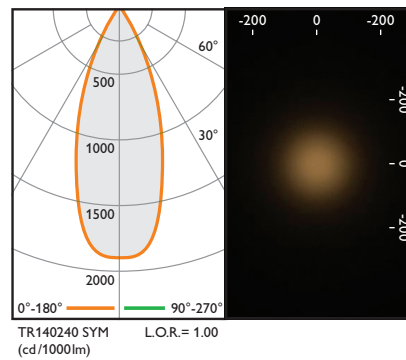
Spot

minimum output



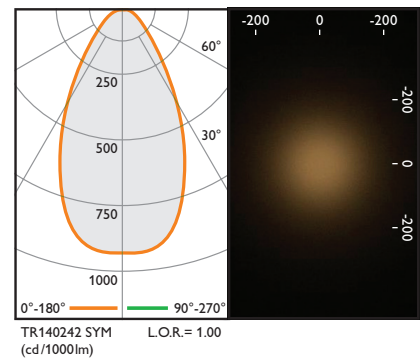
Narrow Flood

minimum output



Flood

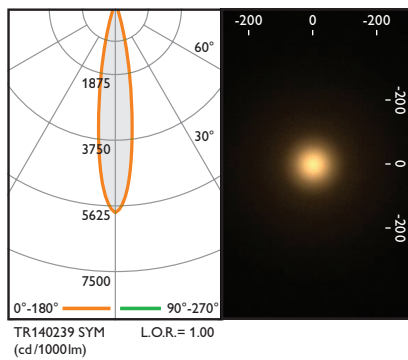
minimum output



IL9 Cool 4000K

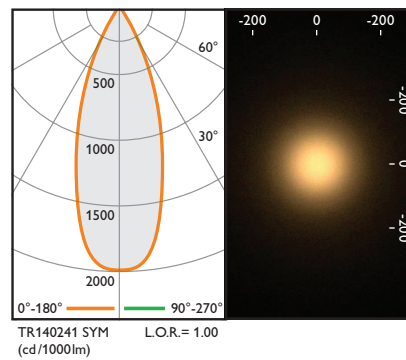
Spot

maximum output



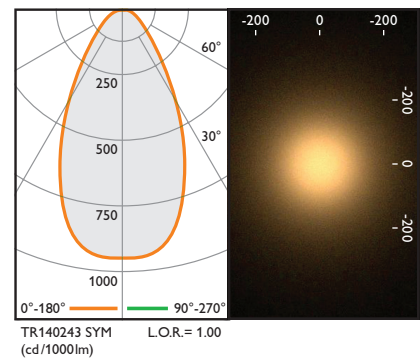
Narrow Flood

maximum output



Flood

maximum output



© 2014 Koninklijke Philips N.V. All rights reserved.
Specifications are subject to change without notice.
www.philips.com/luminaires

Philips Lighting
North America Corporation
200 Franklin Square Drive
Somerset, NJ 08873
Phone: 855-486-2216

Philips Lighting Company
281 Hillmount Road
Markham ON, Canada L6C 2S3
Phone: 800-668-9008